

**MODEL: MINUTE MISER**  
**TYPE: 3 WHEEL ELECTRIC POWERED TRUCK**  
**MODEL YEAR: 2010**  
**Part No: 898320**



**PRODUCT SPECIFICATION**

**CONFIGURATION HIGHLIGHTS**

**Speed Control:** Solid State 250 amp controller

- **Direction Selector:** Dash mounted (Forward-Neutral-Reverse)
- **Batteries:** Four, Six Volt Deep Cycle

**Battery Charger:** 24 Volt On-Board. Fully Automatic line compensating. Underwriters Laboratories (U.L.) Listed, (C.S.A. Certified)

- **Input:** 110 – 120 Volt, 60 Hz, 8.5 amp
- **Output:** 24 Volt at 25 amps. DC

**Motor:** 24 Volt DC series wound, brazed armature, solid copper armature. 1.5 hp (1.1 kW) @ 2800 rpm, 4.3 hp (3.2 kW) @ 1200 rpm

**Drive Train:** Direct motor shaft connected to transaxle pinion shaft

**Electrical System:** 24 Volt DC, four, 6 volt deep cycle batteries (115 minute minimum, 225 amp-hour @ 20 hr. discharge rate)

**Transaxle:** Differential with helical gears

**Brakes:** Dual rear wheel mechanical drum brakes. Integrated park brake

**Convenience:** Seat back folds down to accommodate single rear facing passenger

**Steering:** Steering tiller with horn switch. Optional steering wheel

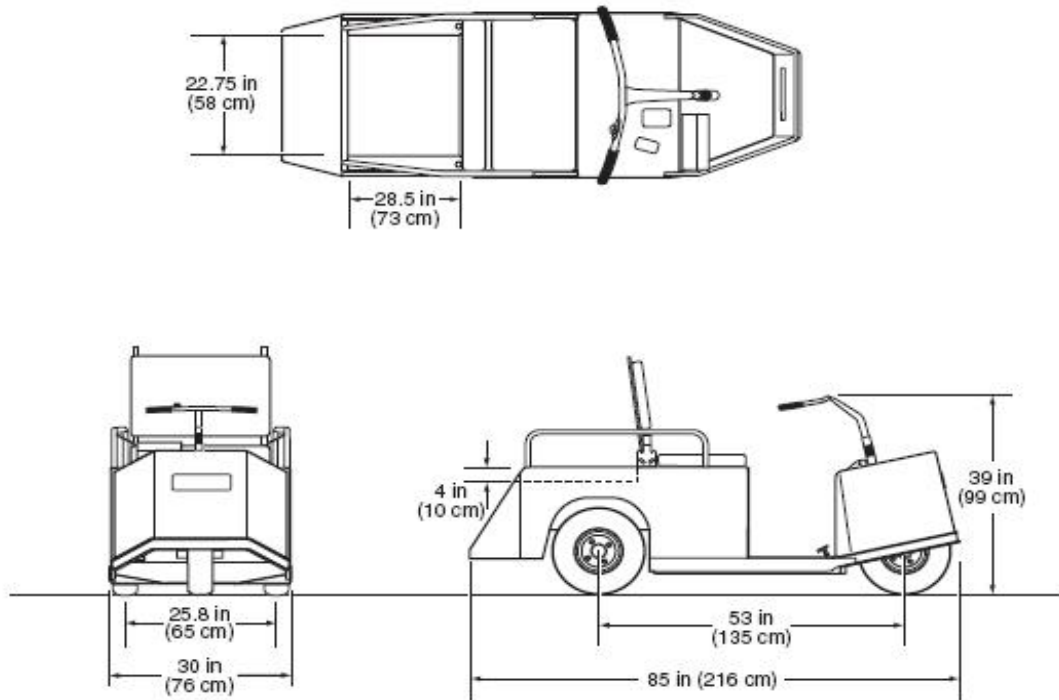
**PRODUCT OVERVIEW**

Dimensions		Performance	
Overall Length	85.0 in (216 cm)	Capacity	2 Persons (Seat Back Down)
Overall Width	30.0 in (76 cm)	Dry Weight	490.0 lb (225 kg) (Without Batteries)
Overall Height (Tiller)	39.0 in (99 cm)	Curb Weight	740.0 lb (335 kg)
Overall Height (Steering Whl)	46.0 in (117 cm)	Cargo Deck Load Capacity	300 lb (140 kg)
Wheel Base	48.0 in (122 cm)	Vehicle load capacity	550 lb (250 kg)
Front Wheel Track	N/A	Outside Clearance Circle	10.8 ft (3.3 m)
Rear Wheel Track	25.5 in (65 cm)	Intersecting Aisle Clearance	54.0 in (137 cm)
Gnd Clearance @ Differential	4.0 in (10 cm)	Speed (Level Ground)	10 mph ± 0.5 mph (14 kph ± 0.8 kph)
Cargo Deck Width	23.0 in (58 cm)	Steering & Suspension	
Cargo Deck Length	29.0 in (73 cm)	Steering	Direct Handlebar to Front Fork
Cargo Deck Depth	4.0 in (10 cm)	Front Suspension	Torque Block
Cargo Deck Material	Plywood	Rear Suspension	Coil Springs & Single Shock Absorber
Vehicle Power		Service Brake	Rear Wheel Mechanical Drum
Power Source	24 Volts DC	Parking Brake	Single Point Latch
Motor Type	Series Wound	Front Tire	4.80 x 8 (Load Range B)
Horsepower (kW)	1.5 hp (1.1 kW) @ 2800 rpm	Rear Tires	4.80 x 8 (Load Range B)
Electrical System	24 Volt	Body & Chassis	
Batteries (Qty, Type)	Four, 6 Volt Deep Cycle	Frame & Body	Welded steel with DuraShield™ powder coat
Key or Pedal Start	Pedal Start	Body & Finish	Diamond plate pattern. Polyester primer/Acrylic
Battery Charger	24 VDC, 120 VAC On-Board, UL & CSA	Standard Color	Yellow
Speed Controller	Solid State 250 Amp Rated		
Drive Train	Motor Shaft Direct Drive		
Transaxle	Differential with Helical Gears		
Gear Selection	Dash Mounted Forward-Neutral-Reverse		
Rear Axle Ratio	14.78:1		

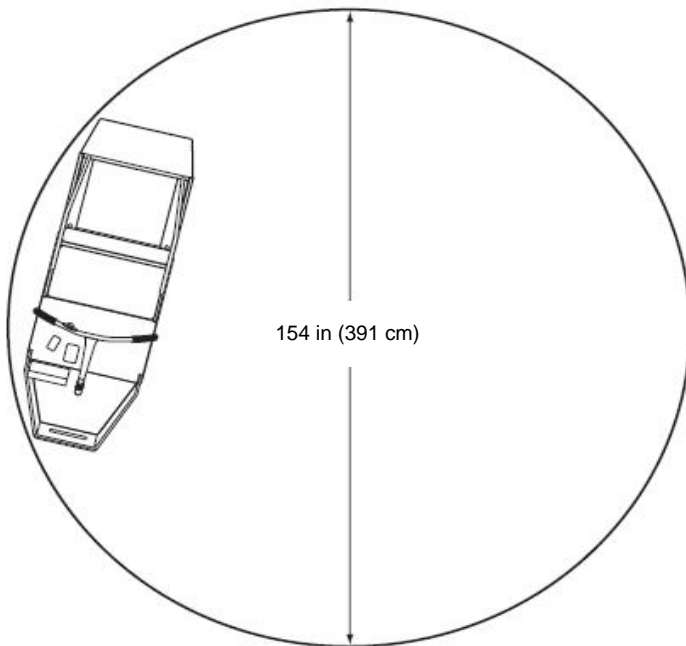
*Some items shown may be optional equipment*



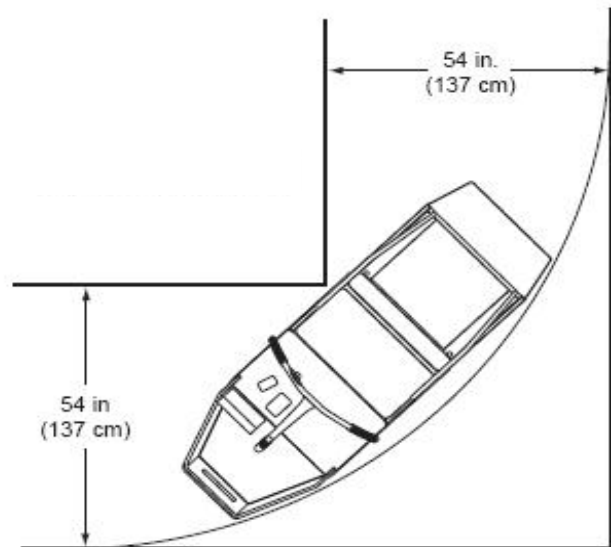
## DIMENSIONS



## CLEARANCE DIAGRAMS



TURNING CLEARANCE DIAMETER



INTERSECTING AISLE CLEARANCE